

LT-401-CC DALI LED Dimming Driver



LTECH developed a new DALI to PWM dimming driver which has solved the compatible problem of the fluorescent dimming system and the LED illumination. LED lamps can be controlled by many traditional intelligent dimming systems such as Lutron, Dynalite, Tridonic, Schneider, Clipsal, Osram, Philips, ABB, etc.

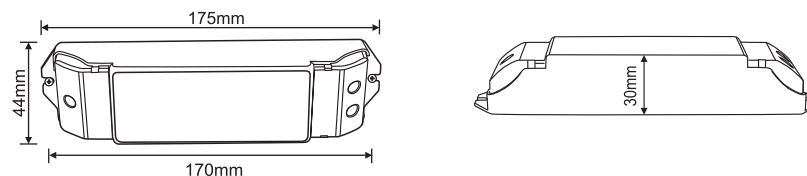
LT-401-CC is optional with 3 in 1 current 350mA/700mA/1050mA, support a wide range of the connection of 1~13pcs(1~50W) high power LED and ensure accurate current output automatically. With above advantage, one LT-401-CC could be the substitute of more than 10 models in the same kind, make it much more convenient for sales and installations.

* By working with our CV DALI dimming driver LT-401-10A, the basic issue that related LED projects and needs DALI dimming can be solved.

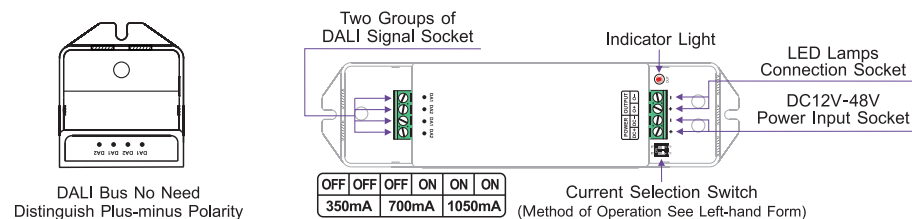
1. Product Parameter:

LT-401-CC DALI LED Dimming Driver	
Input Signal	DALI Dimming Signal(Standard IEC62386)
Power Supply Chosen	DC CV SMPS
Input Voltage	DC12V~DC48V
Output Voltage	DC3V~DC46V
Output Current	CC350/700/1050mA×1CH
Driving LEDs	1~13pcs 1W/3W/5W LED(1~50W) in Series
Output Signal	1CH CC PWM
Working Temperature	-30°C~55°C
Product Size	L175×W44×H30(mm)
Package Size	L178×W48×H33(mm)
Weight(G.W.)	125g

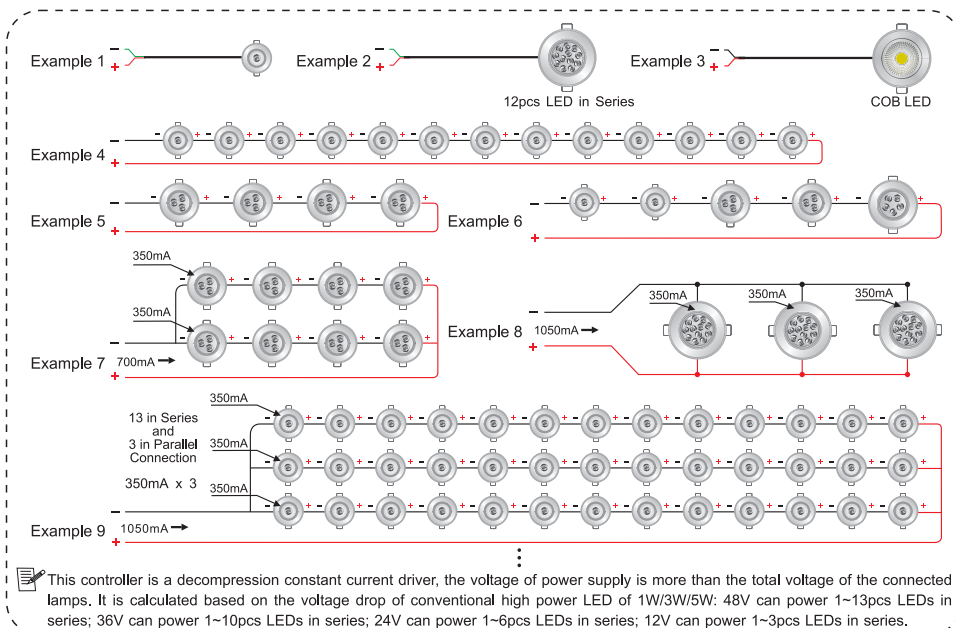
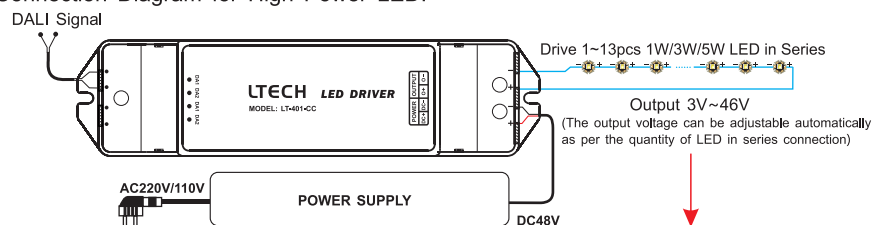
2. Product Size:



3. Conjunction Diagram:

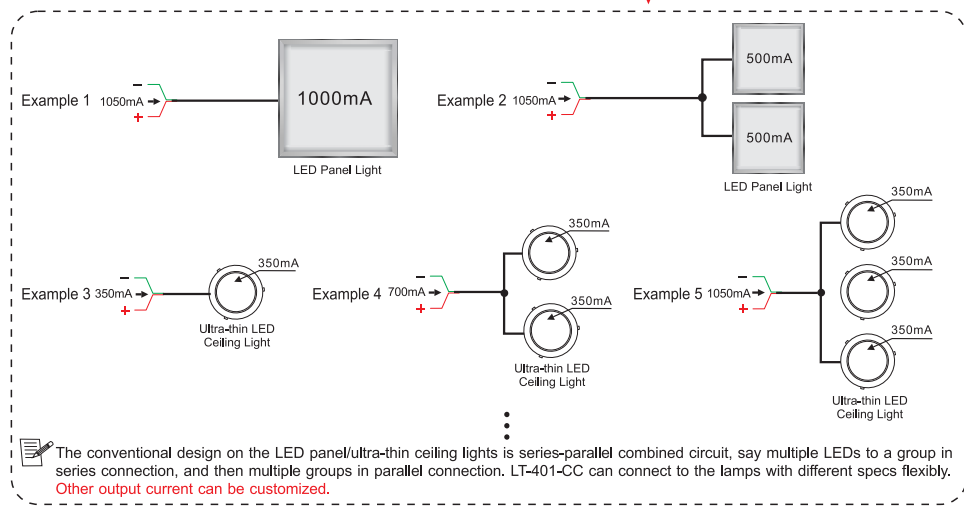
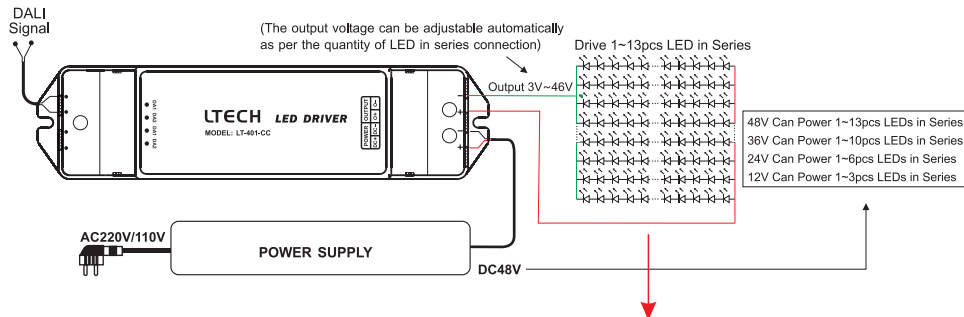


1) Connection Diagram for High Power LED:

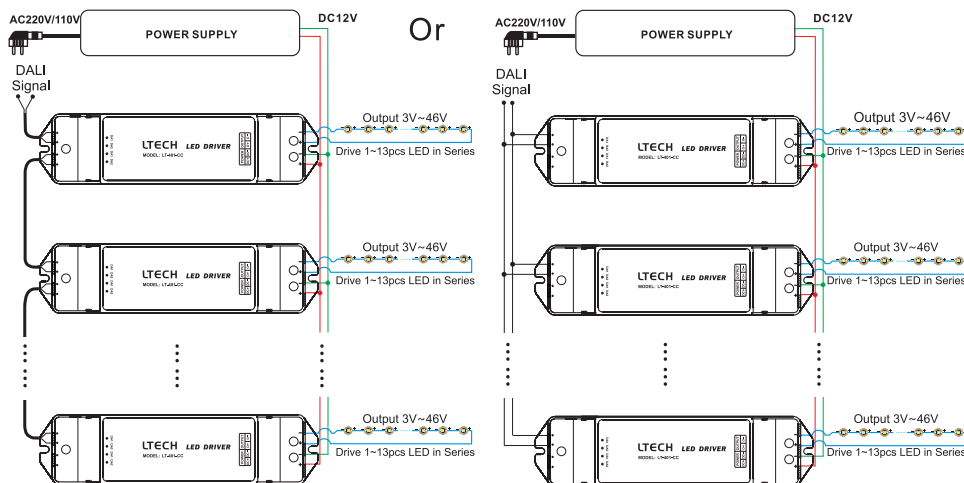


This controller is a decompression constant current driver, the voltage of power supply is more than the total voltage of the connected lamps. It is calculated based on the voltage drop of conventional high power LED of 1W/3W/5W: 48V can power 1~13pcs LEDs in series; 36V can power 1~10pcs LEDs in series; 24V can power 1~6pcs LEDs in series; 12V can power 1~3pcs LEDs in series.

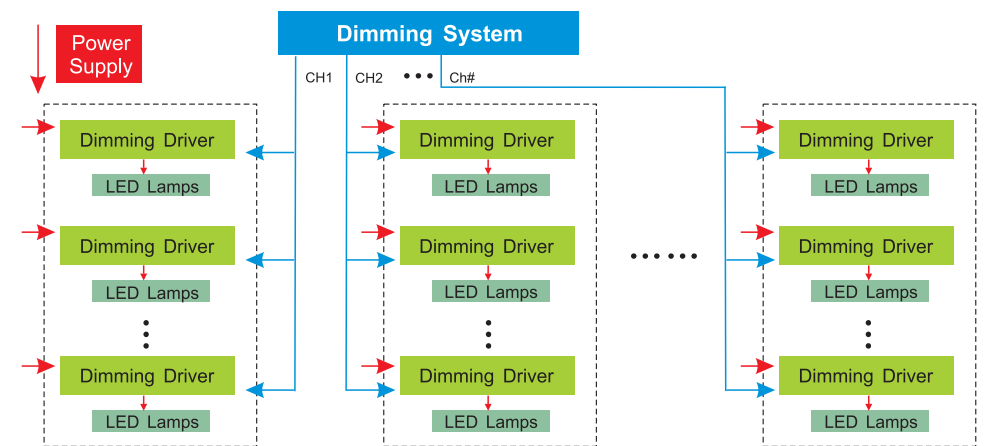
2) Connection Diagram for Low Power LED 5050,3528:



3) Connection Diagram for Multiple Units:



4) System Connection Diagram:



4. Attention:

- 1) The product shall be installed and serviced by a qualified person.
- 2) This product is non-waterproof. Please avoid the sun and rain. When installed outdoors, please ensure it is mounted in a water proof enclosure.
- 3) Good heat dissipation will prolong the working life of the controller. Please ensure good ventilation.
- 4) Please check if the output voltage of any LED power supplies used comply with the working voltage of the product.
- 5) Please ensure that adequate sized cable is used from the controller to the LED lights to carry the current. Please also ensure that the cable is secured tightly in the connector to avoid the accidents due to overheat and poor contact on the wire.
- 6) Ensure all wire connections and polarities are correct before applying power to avoid any damages to the LED lights.
- 7) If a fault occurs, please return the product to your supplier. Do not attempt to fix this product by yourself.

5. Warranty Agreement:

- 1) We provide lifelong technical assistance with this product:
 - A 3-year warranty is given from the date of purchase. The warranty is for free repair or replacement and covers manufacturing faults only.
 - For faults beyond the 3-year warranty, we reserve the right to charge for time and parts.
- 2) Warranty exclusions below:
 - Any man-made damages caused from improper operation, or connecting to excess voltage and overloading.
 - The product appears to have excessive physical damage.
 - Damage due to natural disasters and force majeure.
 - Warranty label, fragile label and unique barcode label have been damaged.
 - The product has been replaced by a brand new product.
- 3) Repair or replacement as provided under this warranty is the exclusive remedy to the customer. LTECH shall not be liable for any incidental or consequential damages for breach of any stipulation in this warranty.
- 4) Any amendment or adjustment to this warranty must be approved in writing by LTECH only.

★This manual only applies to this model. LTECH reserves the right to make changes without prior notice.