

LT-3090-350 LED CC Power Repeater



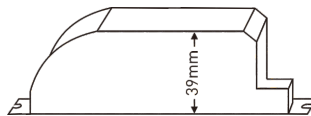
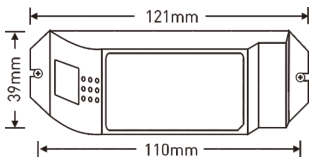
LED constant current power repeater is specially designed for our single color and RGB controllers to expand power output, it accepts PWM signal, double or three times more power can be reached by every one more power repeater, unlimited quantity of power repeater to be connected theoretically.

1. Product Parameter:

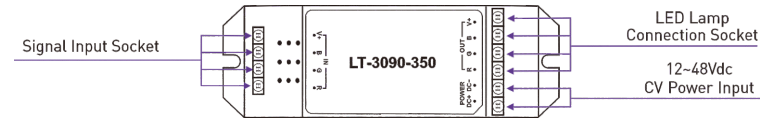
LT-3090-350 Constant Current Power Repeater

Input Signal:	PWM (200Hz-2000Hz)	Working Temp.:	-30°C ~55°C
Input Voltage:	12~48Vdc	Dimension:	L121xW39xH39(mm)
Output Voltage:	3~46Vdc	Package Size:	L123xW42xH42(mm)
Output Current:	CC 350mA × 3CH	Weight (G.W.):	115g
Output Power:	(1.05W~16.1W) × 3CH		Max 48.3W

2. Product Size:

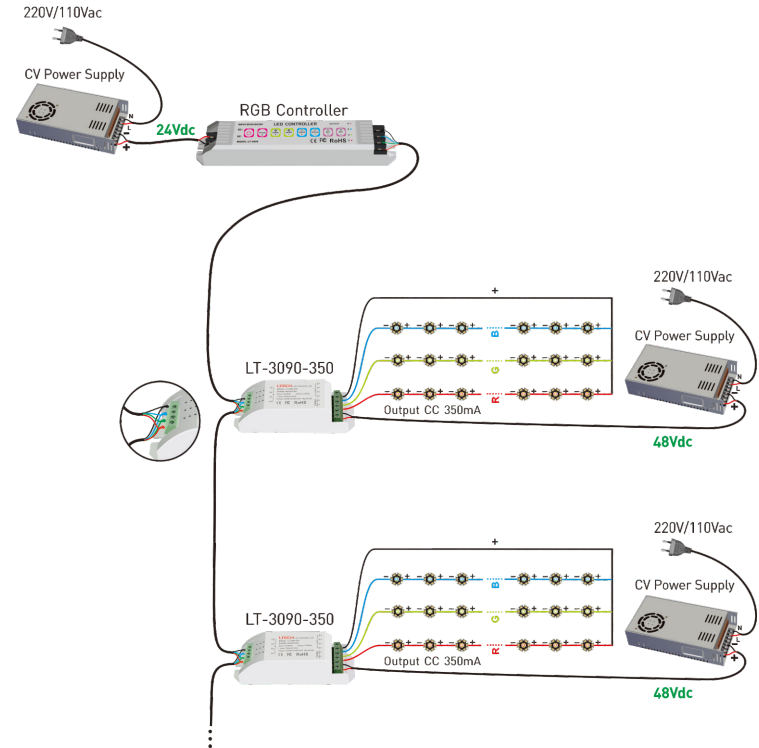


3. Wiring Diagram:

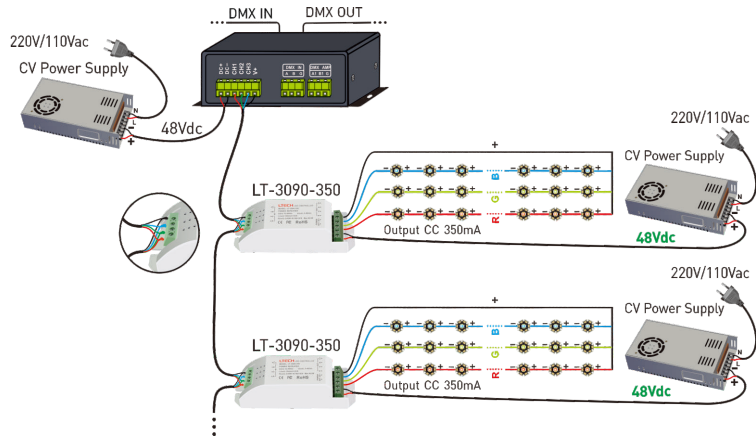


The LED quantity at each channel can be different; this CC controller can automatically check & output a proper voltage to each channel as per its different LED quantities.

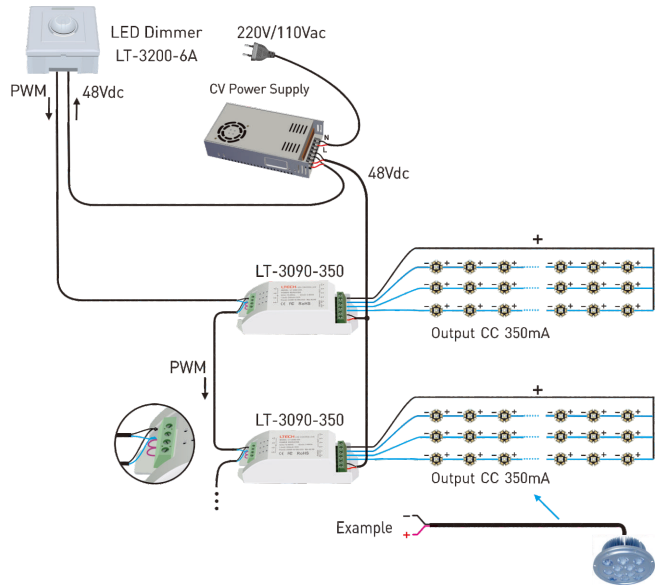
3.1 Repeaters connected to RGB controller as follow:



3.2 Repeaters connected to DMX constant current decoder:



3.3 Repeaters connected to LED wall dimmer as follow:



4. Attention:

- 4.1 The product shall be installed and serviced by the qualified person.
- 4.2 This product is non-waterproof. Please avoid the sun and rain. When installed outdoors, please ensure it is mounted in a water proof enclosure.
- 4.3 Good heat dissipation will prolong the working life of the controller. Please ensure good ventilation.
- 4.4 Please check if the output voltage of the LED power supply used comply with the working voltage of the product.
- 4.5 Please ensure that adequate sized cable is used from the controller to the LED lights to carry the current. Please also ensure that the cable is secured tightly in the connector.
- 4.6 Ensure all wire connections and polarities are correct before applying power to avoid any damages to the lights.
- 4.7 If a fault occurs, please return the product to your supplier. Do not attempt to fix this product by yourself.

5. Warranty Agreement:

- 5.1 We provide lifelong technical assistance with this product:
 - A 5-year warranty is given from the date of purchase. The warranty is for free repair or replacement if cover manufacturing faults only.
 - For faults beyond the 5-year warranty, we reserve the right to charge for time and parts.
- 5.2 Warranty exclusions below:
 - Any man-made damages caused from improper operation, or connecting to excess voltage and overloading.
 - The product appears to have excessive physical damage.
 - Damage due to natural disasters and force majeure.
 - Warranty label, fragile label and unique barcode label have been damaged.
 - The product has been replaced by a brand new product.
- 5.3 Repair or replacement as provided under this warranty is the exclusive remedy to the customer. We shall not be liable for any incidental or consequential damages for breach of any stipulation in this warranty.
- 5.4 Any amendment or adjustment to this warranty must be approved in writing by our company only.

★ This manual only applies to this model. We reserve the right to make changes without prior notice.