

LT-125 5CH SPI Signal Amplifier



LT-125 SPI amplifier can realize SPI (TTL) signal's expansion, amplification and distribution. Especially suitable for multi-channel sync control projects. It can copy the changes of one channel LEDs to others, so you can connect dozens LEDs than before by install several signal amplifiers, and save lots of money on the project.

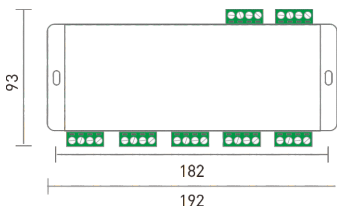
LT-125 SPI signal amplifier is full compatibility, can be used to expand all manufacturers' SPI(TTL) signal controller and lamp's signal in market. And It can connect with SPI(TTL) signal of all ICs.

1. Parameter:

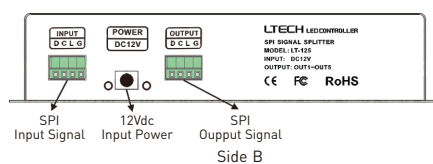
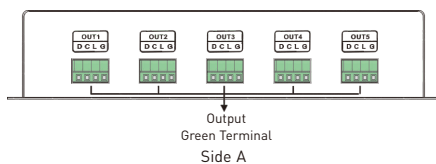
LT-125

Input Voltage:	12Vdc (with a power adapter)	Working Temp.	-30°C~65°C
Input Signal:	SPI(TTL)	Dimension	L192×W93×H41mm
Output Signal:	5CH SPI(TTL)	Package Size	L270×W100×H46mm
Output Terminal:	Green terminal	Weight(G.W.)	597g

2. Product Size:

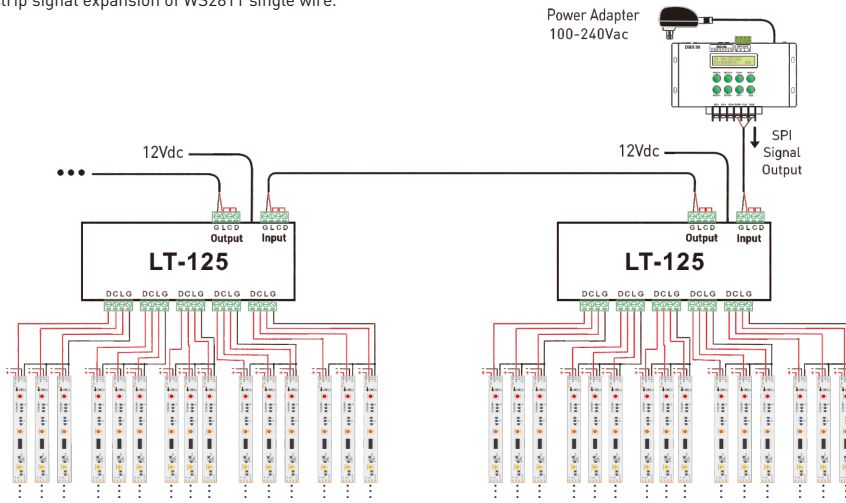


3. Configuration Diagram:

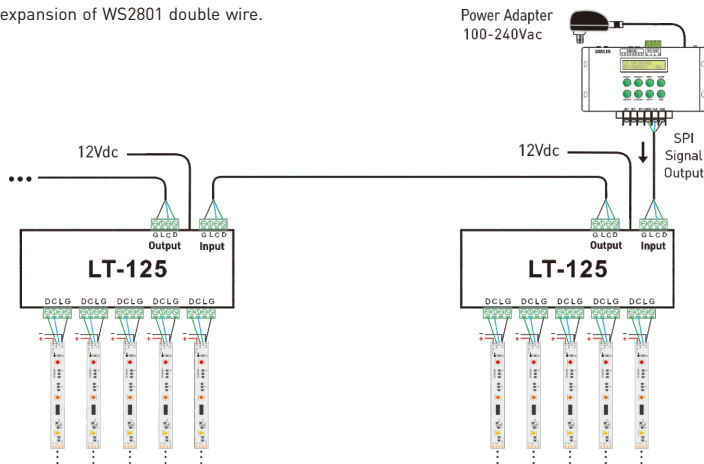


4. Wiring Diagram:

4.1 LED strip signal expansion of WS2811 single wire.



4.2 LED Strip signal expansion of WS2801 double wire.



4.3 Multiple pixel screen synchronous display

