

DX Series Knob Panel



DX61



LTECH

DX61 Dimming Knob Panel

1. Technical Specs:

DX61 Dimming Knob Panel

Input Voltage:	100~240Vac	Dimensions:	L86×W86×H50(mm)
Output Signal:	RF 2.4GHz, DMX512	Package Size:	L106×W106×H60(mm)
Working Temp.:	-30°C~55°C	Weight[G.W.]:	235g

R4-5A CV Receiver (receiver is sold separately.)

Input Voltage:	5~24Vdc	Working Temp.:	-30°C~55°C
Current Load:	5A × 4CH Max. 20A	Dimensions:	L175×W44×H30(mm)
Output Power:	Max.100W/240W/480W(5V/12V/24V)	Package Size:	L178×W48×H33(mm)
Wireless Signal:	2.4GHz	Weight[G.W.]:	150g

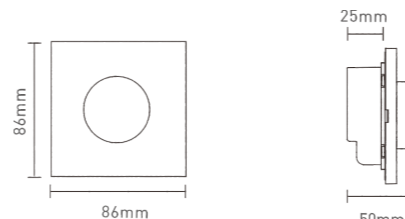
R4-CC CC Receiver (receiver is sold separately.)

Input Voltage:	12~48Vdc	Working Temp.:	-30°C~55°C
Output Voltage:	3~46Vdc	Dimensions:	L175×W44×H30(mm)
Output Current:	CC 350/700/1050mA×4CH	Package Size:	L178×W48×H33(mm)
Output Power:	1.05W~48.3W×4CH Max 193.2W	Weight[G.W.]:	165g
Wireless Signal:	2.4GHz		

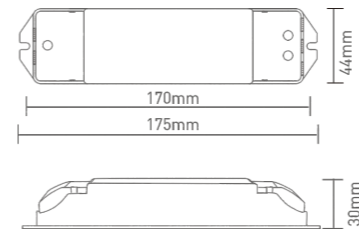
LTECH

DX61 Dimming Knob Panel

2. Product Size:



Knob Panel

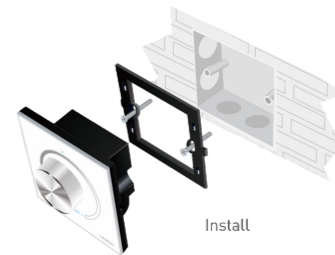


R4-5A/R4-CC Receiver

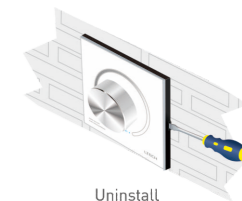
LTECH

DX61 Dimming Knob Panel

3. Installation Instruction:



Install



Uninstall

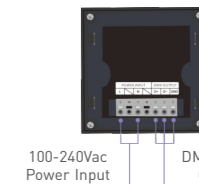
4. Key Functions:



Short press: On/Off.
Long press: Adjust brightness.
Spin: Adjust brightness.

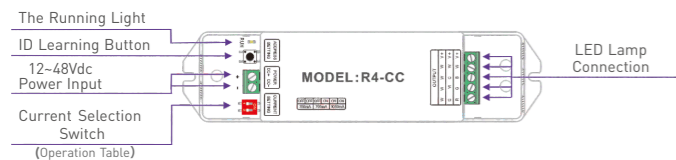
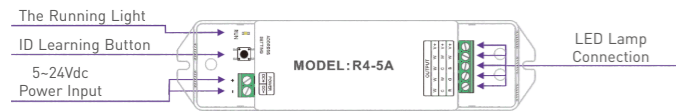
* When powered off, long press the knob for 5 seconds to turn on [off] the key tone.

5. Terminals:



100-240Vac Power Input
DMX Signal Output

6. Operating Instruction for Receiver:



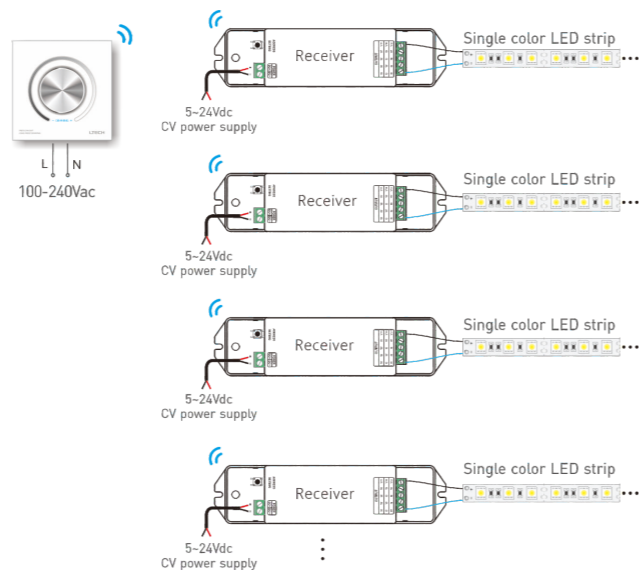
Operation Table					
OFF	OFF	OFF	ON	ON	ON
350mA	700mA	1050mA			

7. Match / Clear code between knob panel & receivers

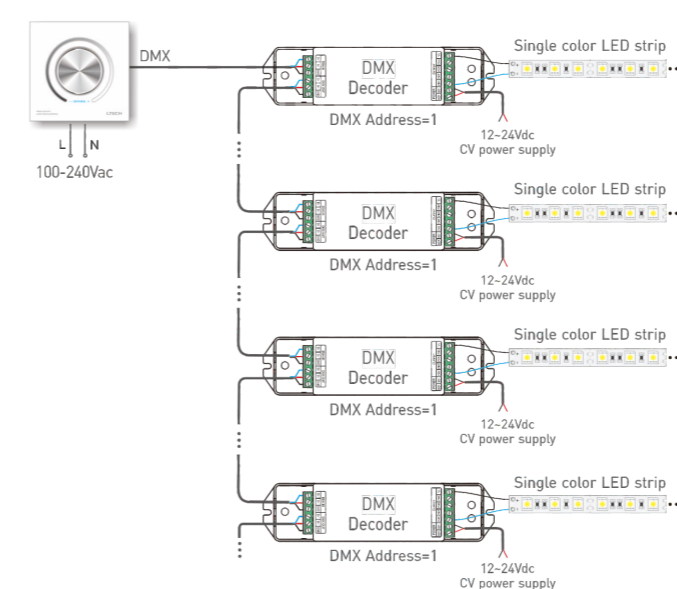
Match Code: Short press "ID learning button" on the R4-5A/R4-CC receiver, the running light keeps on. Then press or spin the knob on the DX61 panel, the buzzer long beep, match successfully.

Clear Code: Long press "ID learning button" on the R4-5A/R4-CC receiver for 5S, the buzzer long beep, deactivate the matching successfully.

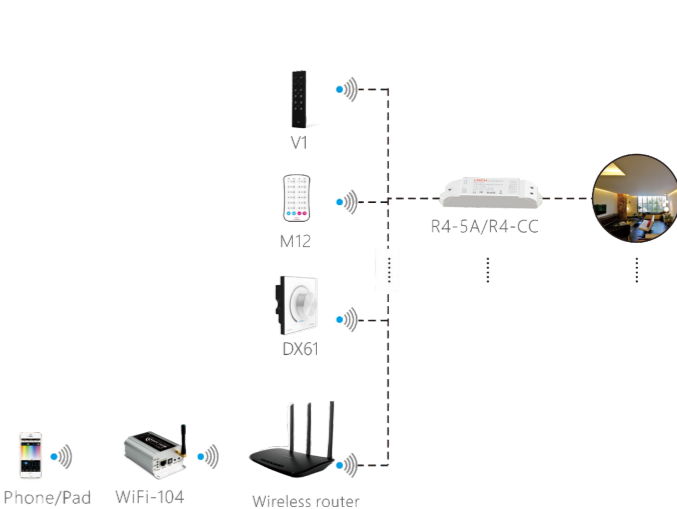
8. Wireless Wiring:



9. DMX Wiring:



10. System Connection Diagram:



Please refer to the relevant product manual for detailed information